

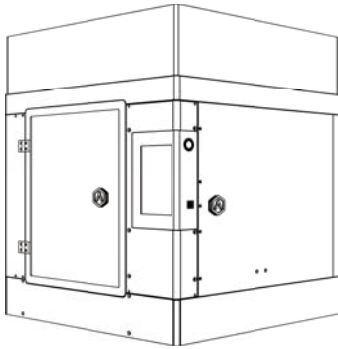
# ***Pro-Series* 3D Printer**

## Quick Start Guide

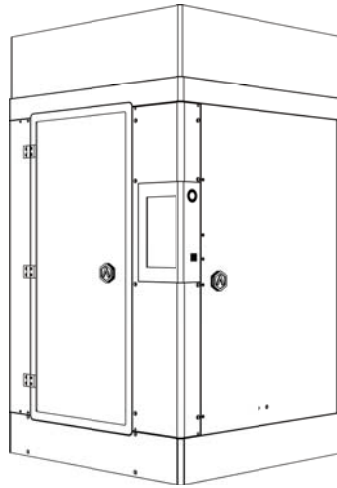
\* Please review this entire guide before operating the printer.

### **WARNING**

This is a class A product. In a domestic environment this product may cause radio interference in which case the user may be required to take adequate measures.



**Pro2**



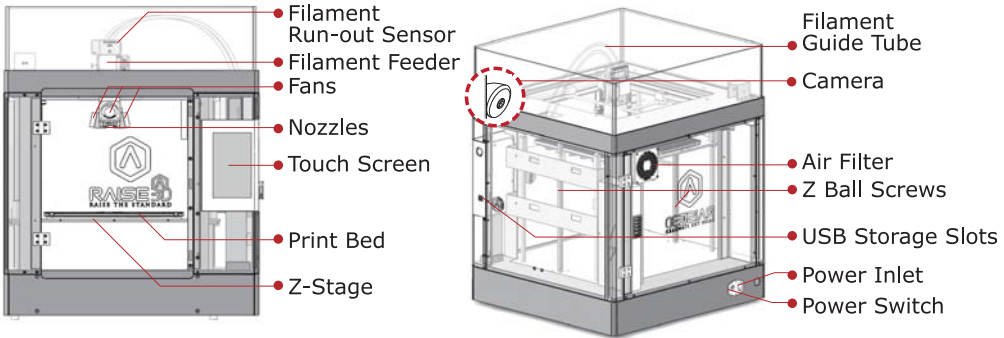
**Pro2 Plus**



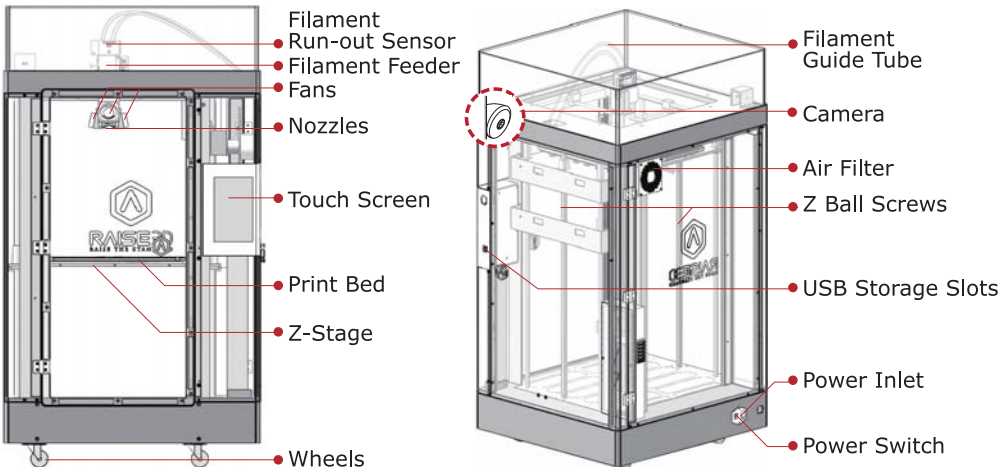
[www.raise3d.com](http://www.raise3d.com)

# A List of Parts

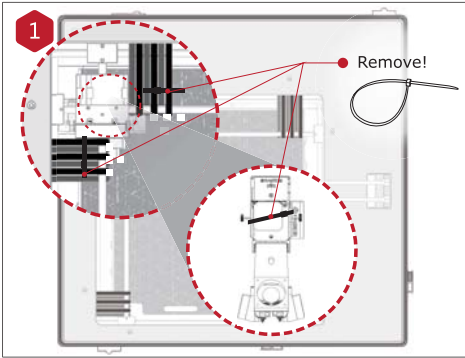
## Pro2



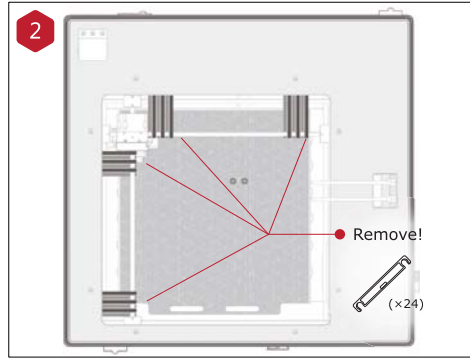
## Pro2 Plus



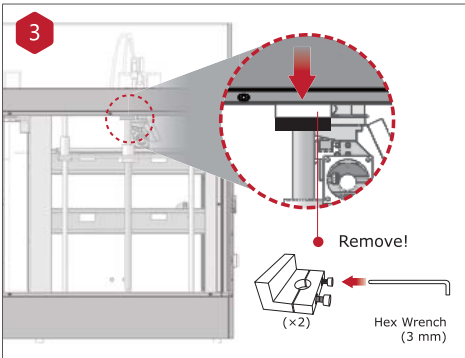
## B Hardware Installation



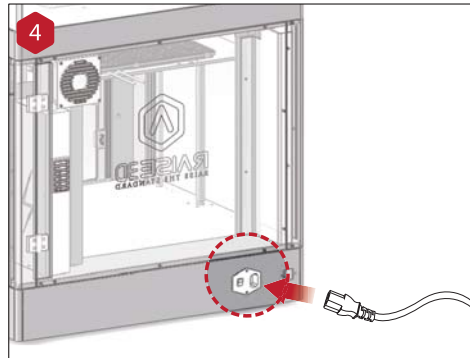
Recommend to unclip the Zipties as you are able to reuse the ties later.



Please remove the 24 clips holding the extruder assembly in place before powering on your printer. If you fail to remove these clips your printer will be damaged. Please save these clips and re-install them if you transport your printer.

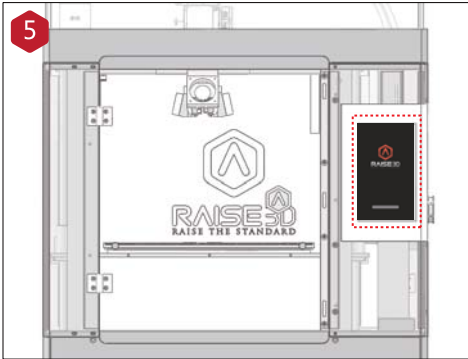


Use the 3mm hex wrench to remove the Z axis clamps on both Z axis ball screws. The 3mm hex wrench is packed inside the tool box located inside the top foam.



Plug the machine into a wall outlet and power on. The Power cable is packed inside the tool box located inside the top foam.

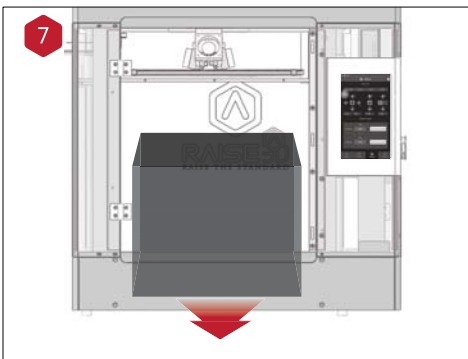
## B Hardware Installation (continued)



The printer will go through a start-up sequence. When the touch screen displays "Home", the printer is ready.



Press Z homing button to home the Z print bed to origin position.



Take the starter box and filament box out from the base of the printer. And open for standby.

## B Hardware Installation (continued)

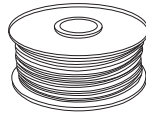
### List of Contents



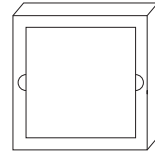
Power Cable  
(x5)



Hex Wrenches



Filament  
(x2)



Build Plate  
(with Build Surface  
inside Protective Cover)



USB Storage



Heat Resistant Gloves



Filament Holder  
(x2)



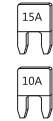
Spatula



Nozzle  
Cleaning Kit



Tweezers



Fuse

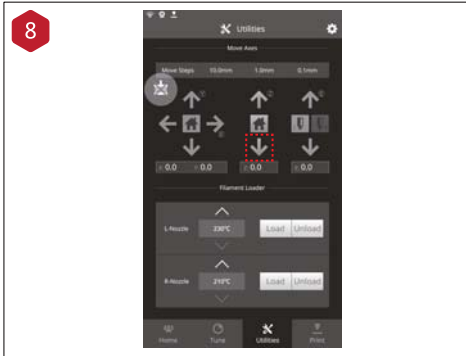


Thumb Screws  
(Spare)

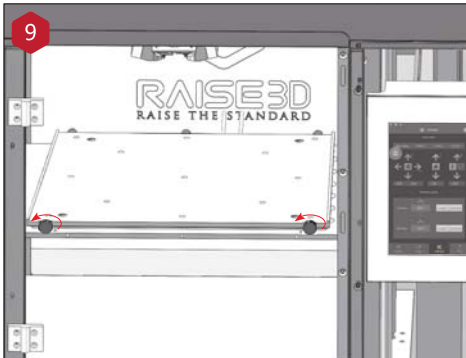


Other Accessories  
(Spare)

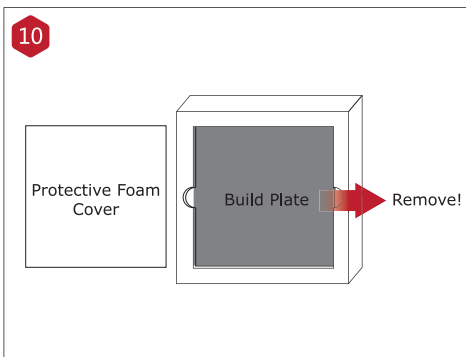
## B Hardware Installation (continued)



Press the downward arrow to move Z platform drop to 50mm.

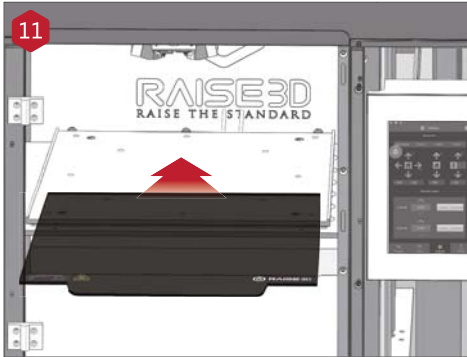


Remove the two thumb screws in front of the build plate with anti-clockwise rotation.

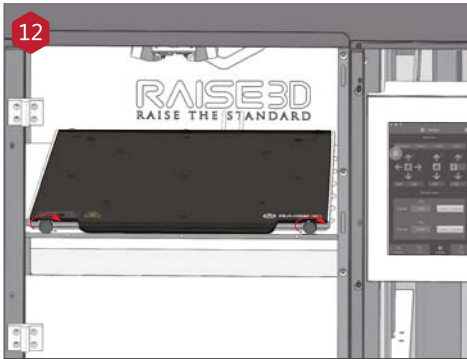


Take build plate off from the protective cover.

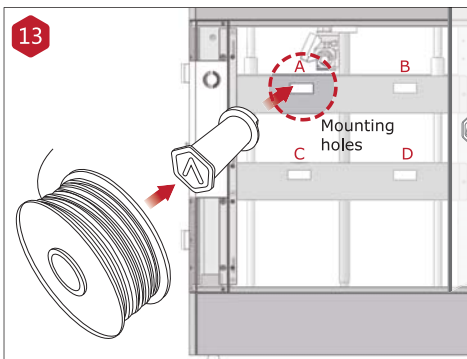
## B Hardware Installation (continued)



Slide the build plate onto the Z platform. Face the surface with Raise3D logo up.



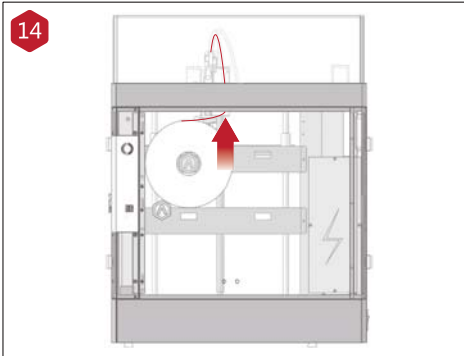
Fix the thumb screws back with clockwise rotation.



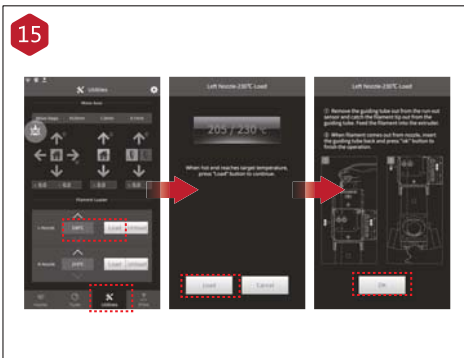
Install the filament holder in the mounting hole on the side of the printer and place a spool of filament on the holder.

**NOTE:** The filament should be loaded clockwise.

## B Hardware Installation (continued)

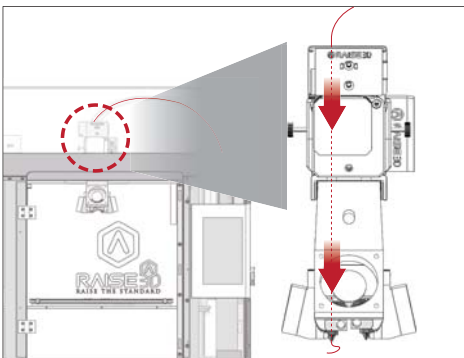


Feed the filament through the guide tube.



Press the "Utilities" menu on the screen and set the temperature of the left nozzle for the filament, then press the "Load" button. Finish the feeding operation step by step according to the instructions on the screen.

**NOTE:** This document is set based on the Raise3D PLA filament, which is delivered together with the printer. Therefore we advise that you use this PLA for testing.

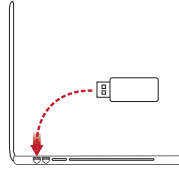




# C ideaMaker Installation

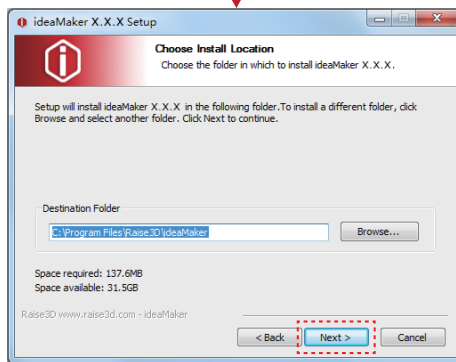
The ideaMaker software is available in the USB storage included with your printer.

Or go to [www.raise3d.com/pages/download](http://www.raise3d.com/pages/download) to get the latest version.



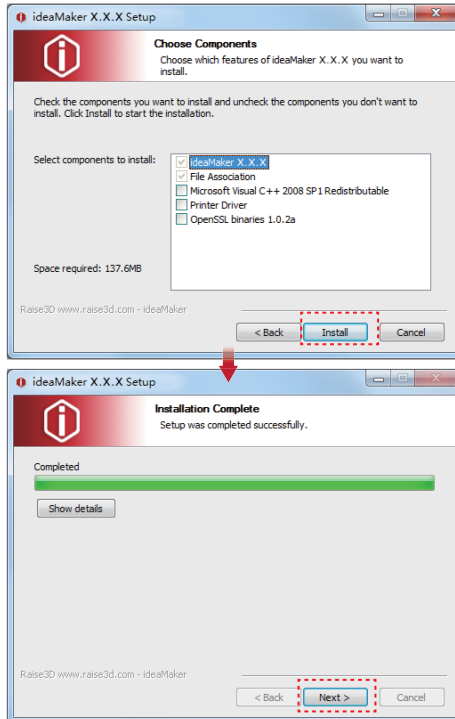
## WINDOWS

- 1 Open the installer and choose the language. Set a path for installing ideaMaker then click "Next".



## C ideaMaker Installation (continued)

- 2 Follow the instructions and click "Install". After the installation is finished, click "Next" to go to the next step.



- 3 Click "Finish" and ideaMaker is installed.



## C ideaMaker Installation (continued)



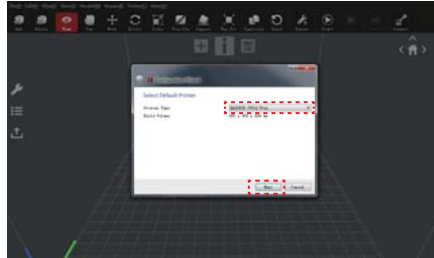
MAC OS X

Open the Disk Image for the ideaMaker installation in the USB storage included with your printer or get the latest version from [www.raise3d.com/pages/download](http://www.raise3d.com/pages/download). Drag the icon at left side to the Application icon at the right side.

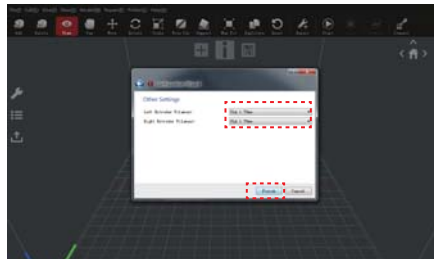


## D ideaMaker Initial Settings

- 1 The first time you open ideaMaker you will need to select your printer model from the drop-down list.

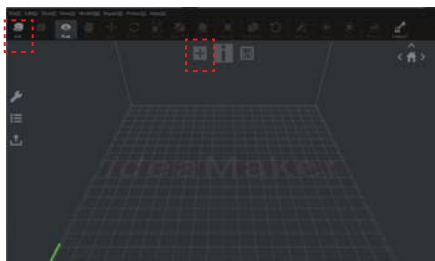


- 2 Select the diameter of the filament. Press "Finish" to finish the initial settings.  
*NOTE: ALL Pro-Series printers use 1.75mm filaments.*

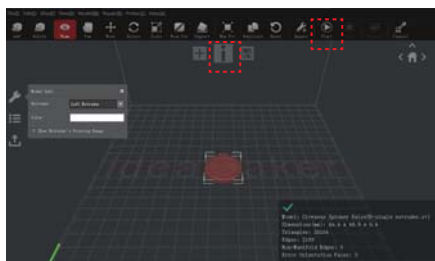


## E Using ideaMaker

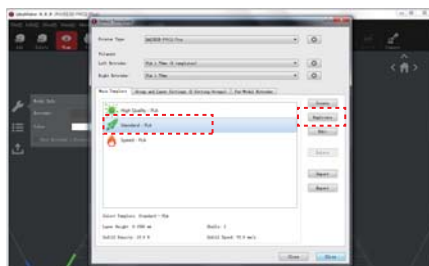
- 1 Click the "+" button to import "Giveaway Spinner" included in the USB storage.



- 2 Click the "Start" or "i" button to begin the slicing of the model.

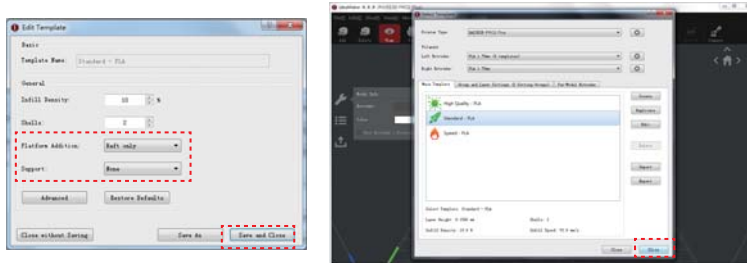


- 3 Confirm your printer type and material then select the proper slicing template.

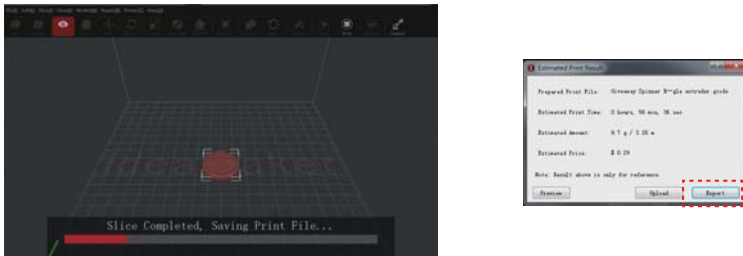


## E Using ideaMaker (continued)

- 4 Click the "Save and Close" after selecting the type of Platform and Support to return to the last menu. Click the "Slice" to start slicing.



- 5 Save the sliced files (.gcode and .data) to USB storage.  
*NOTE: File names that do not conform to the Western Latin character set may not display properly.*



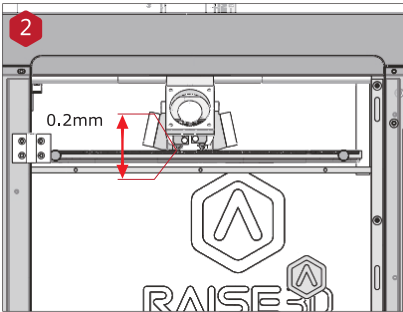
- 6 Confirm that the files are saved and eject the USB storage.



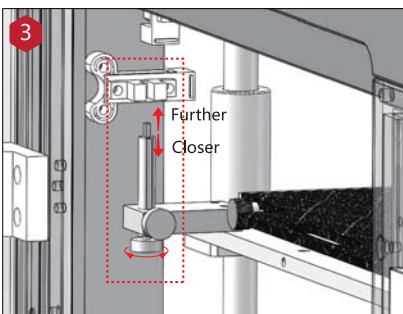
## F Start First Print



Even though Pro2/Pro2 Plus is prelevelled in the factory, please press X/Y axis 'home' button first and then Z axis 'home' button to check whether the leveling is changed during shipping.

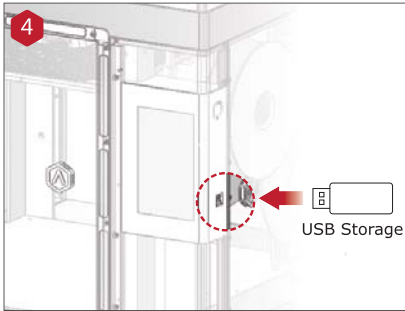


Check the distance between nozzle and printing platform. The optimal distance between the nozzle and the printing platform is 0.2mm.



The distance between the nozzle and the printing platform can be adjusted by turning the thumb screw on the left-front corner of the Z-plate, the higher the screw stands out, the further the distance between the nozzle to the printing platform gets.

## F Start First Print (continued)



The USB storage included with the printer comes loaded with already sliced models. They are a good place to start for your first print. Insert the USB storage into the USB slot on the side of touchscreen.



Select "Print" menu, choose "USB Storage" in the file storage path. Select the file to check the printing parameters and settings, then press "Print" to start printing test file.



During printing, you can check status, printing time remaining and other parameters from the touchscreen in the "Home" interface.

**NOTE:** The image on the touch screen will only be shown when the file is sliced by ideaMaker and the .data file is saved in USB storage or uploaded to screen.

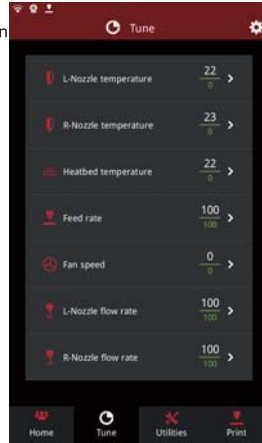


# G User Interface



- Status bar
- Menu title, Settings Button
- Extruder and Heat Bed temperature
- Current model name, total print time, current printing status and height
- Visual display of current model
- Pause/Resume button
- Stop button
- Taskbar

**Home**



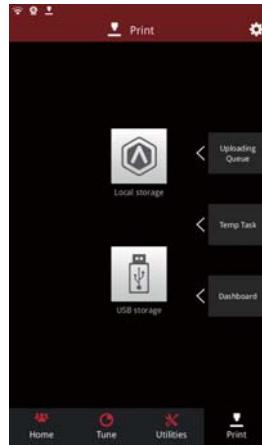
- Printing parameters and adjustment

**Tune**



- Moving step distance setting
- Disable motor button
- X/Y/Z axes move/return to original position
- Load and Unload function for the L&R extruders.

**Utilities**

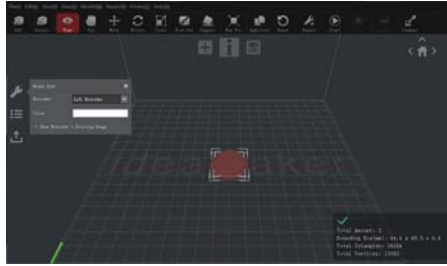
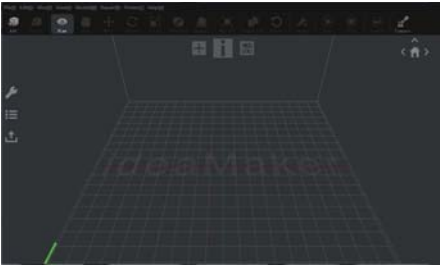


- Choose where to load the print job from
- Check uploading list, recovery task list, printing statistics

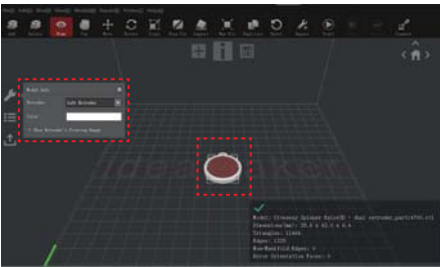
**Print**

# H Dual-Extruder Print - Slicing

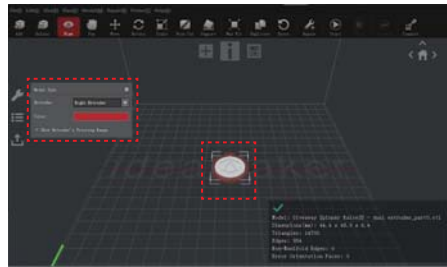
- 1 Open ideaMaker, Click the "+" button to import an .stl file or .obj file. You can download a file or use the test model included in the USB storage.



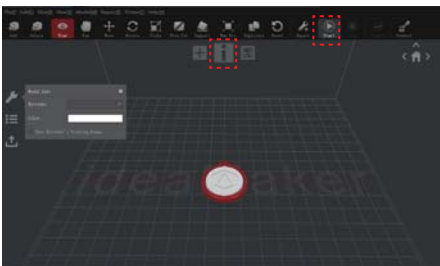
- 2 Choose one model and set Extruder as Left Extruder from the left side Model Info window.



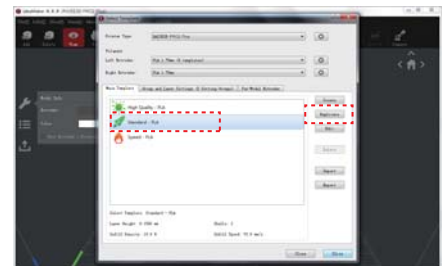
- 3 Choose another model and set Extruder as Right Extruder from the left side Model Info window.



- 4 Click the "Start" or "i" button to begin the slicing of the model.

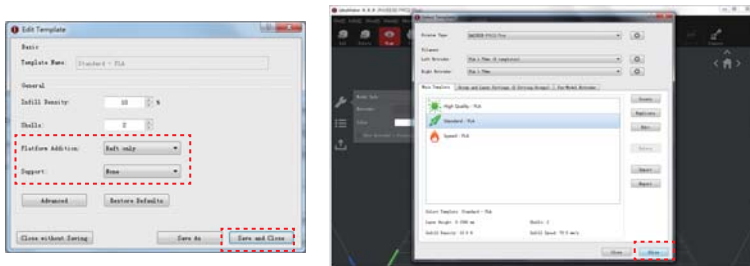


- 5 Confirm your printer type and materials for both extruders then select the proper slicing template.

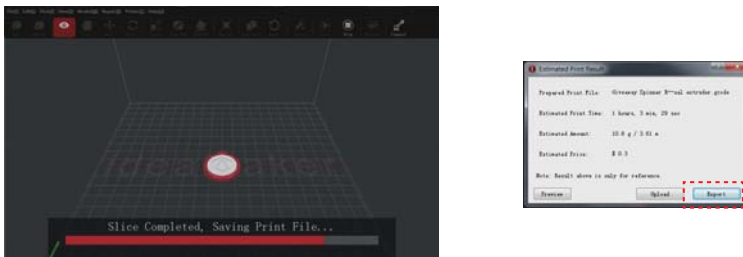


## H Dual-Extruder Print - Slicing (continued)

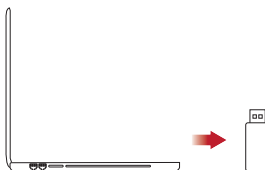
- 6 Click the "Save and Close" after selecting the type of Platform and Support to return to the last menu. Click "Slice" to start slicing.



- 7 Save the sliced files (.gcode and .data) to USB storage.  
*NOTE: File names that do not conform to the Western Latin character set may not display properly.*

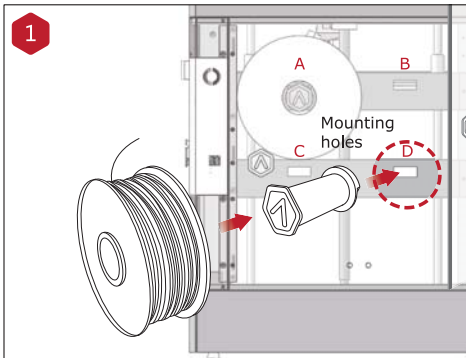


- 8 Confirm that the files are saved and eject the USB storage.



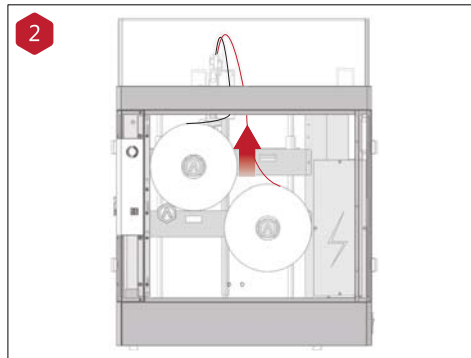
# H Dual-Extruder Print - Hardware Installation

The following steps show how to feed the right nozzle. For the other hardware installations steps please see with Part B Hardware Installation in this guide.

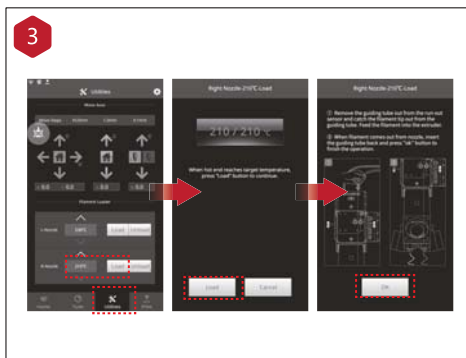


Install the filament holder in the mounting hole on the side of the printer and place a spool of filament on the holder.

**NOTE:** The filament should be loaded clockwise.

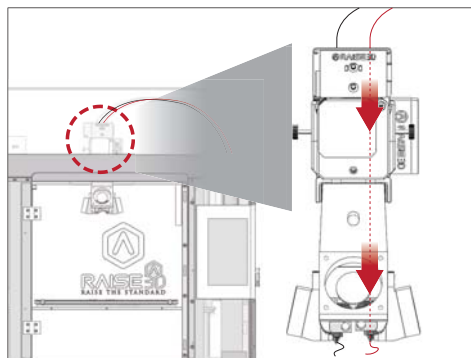


Feed the filament through the guide tube.



Press the "Utilities" menu on the screen and set the temperature of the right nozzle for the filament, then press the "Load" button. Finish the feeding operation step by step according to the instructions on the screen.

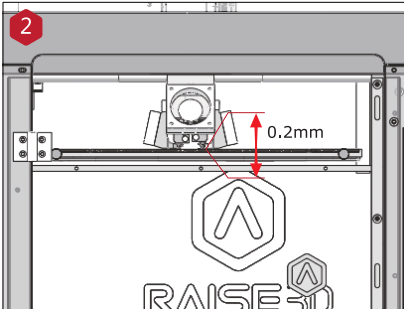
**NOTE:** This document is set based on the Raise3D PLA filament, which is delivered together with the printer. Therefore we advise that you use this PLA for testing.



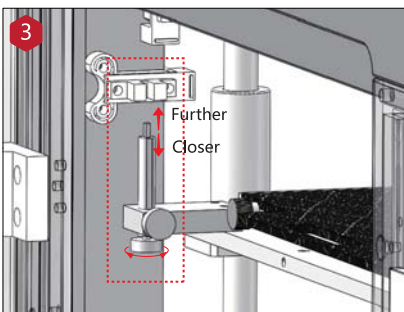
# H Dual-Extruder Print - Start First Print



Even though Pro2/Pro2 Plus is prelevelled in the factory, please press X/Y axis 'home' button first and then Z axis 'home' button to check whether the leveling is changed during shipping.

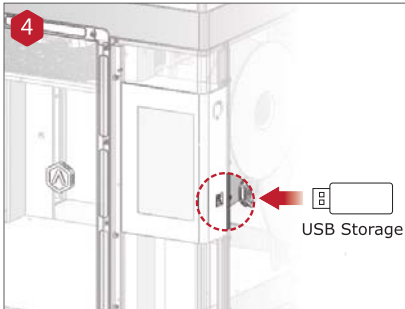


Check the distance between nozzle and printing platform. The optimal distance between the nozzle and the printing platform is 0.2mm.

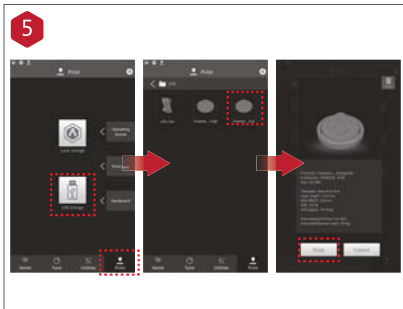


The distance between the nozzle and the printing platform can be adjusted by turning the thumb screw on the left-front corner of the Z-plate, the higher the screw stands out, the further the distance between the nozzle to the printing platform gets.

## H Dual-Extruder Print - Start First Print (continued)



The USB storage included with the printer comes loaded with already sliced models. They are a good place to start for your first print. Insert the USB storage into the USB slot on the side of touchscreen.



Select "Print" menu, choose "USB Storage" in the file storage path. Select the file to check the printing parameters and settings, then press "Print" to start printing test file.



During printing, you can check status, printing time remaining and other parameters from the touchscreen in the "Home" interface.

**NOTE:** The image on the touch screen will only be shown when the file is sliced by ideaMaker and the .data file is saved in USB storage or uploaded to screen.

# RAISE3D

---

🏠 4th Floor, Building B5, 1600 North Guoquan Rd, Shanghai, China 200438  
☎ +86 21 65337855

🏠 3189 Airway Avenue, Unit F, Costa Mesa, CA 92626, USA  
☎ +1 888 963 9028

🌐 [www.raise3d.com](http://www.raise3d.com)  
✉ [support@raise3d.com](mailto:support@raise3d.com)